



Small foot-print

**Easy to place
and sturdy**

**With overflow containment
vessel as option**

TTM RTB 61

Complete mixing vessel – volume 100 litres

Mixing vessel TTM RTB 61 is a complete unit with a fluid vessel, pump and fittings for mixing and topping up fluid in heating and cooling media systems.

The closed fluid vessel is rectangular and has a volume of 100 litres. The vessel is manufactured from rotational cast HD polyethylene and equipped with a screw cap.

The pump housing is made in stainless steel.

TTM RTB 61 mixing vessel is primarily intended for ethylene glycol and propylene glycol mixtures of max. 45.0% and ethanol mixtures of max. 29.9%. Other mixtures of cooling medium and heating medium may require specially designed pumps or fittings. Consult with TTM.

For permanent installations of TTM RTB 61, the vessel must be built-in if flammable liquid will be used in the vessel. Always contact your local fire and environmental authority regarding current provisions for handling your cooling medium.

RTB
Mixing vessel

TTM Energiprodukter AB

Slöjdaregatan 1, SE-393 53 Kalmar, Sweden | Tel. +46 480 41 77 40
info@ttmenergi.se | www.ttmenergi.se

**1. Pump**

Wilo WJ 203 X, supplied with 2 m electric cable with earthed plug. Other pumps can be supplied on request.

2. Shut-off valves**3. Drain valve**

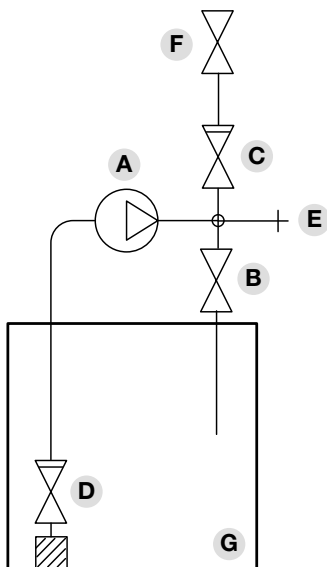
Version with hose screw connection R 1/2".

4. Non-return valve**5. Bottom valve with strainer**

Cooling media based on glycol, primarily ethylene glycol, with associated inhibitors are classified as hazardous waste and may not be released into the wastewater system.

Function:

TTM RTB 61



1. Fill the vessel with the desired quantity of water.
2. When first started, the pump must be filled with water.
3. Shut off valve F must be closed to the system.
4. Start pump A. Valve B must be open.
5. Top up the desired quantity of glycol and allow the fluids to mix.
6. Open valve F and close valve B. The system fills.
7. After filling is complete, the vessel must be emptied and all glycol residues flushed from the pump. Close valve F.

Component:

- A. Pump Wilo WJ 203 X, 1x230 V
 - B. Shut off valve
 - C. Non-return valve
 - D. Bottom valve (non-return valve with strainer)
 - E. Drain valve
 - F. Shut off valve
 - G. Vessel
- Pipe PEX 15 mm and 28 mm

Pump data:

As standard, TTM RTB 61 is equipped with pump Wilo WJ 203 X (for capacity see graph on right, and for data see below). Other alternatives can be provided on request.

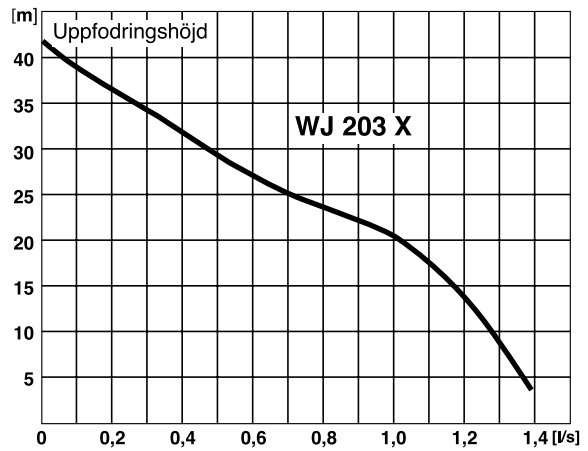
Electrical data:

Voltage: 1x230 V, 50 Hz
 External fuse: 10 A
 Rated current: 5.2 A
 Power P2: 0.75 kW
 Protection level: IP 44
 Electrical connection: Plug

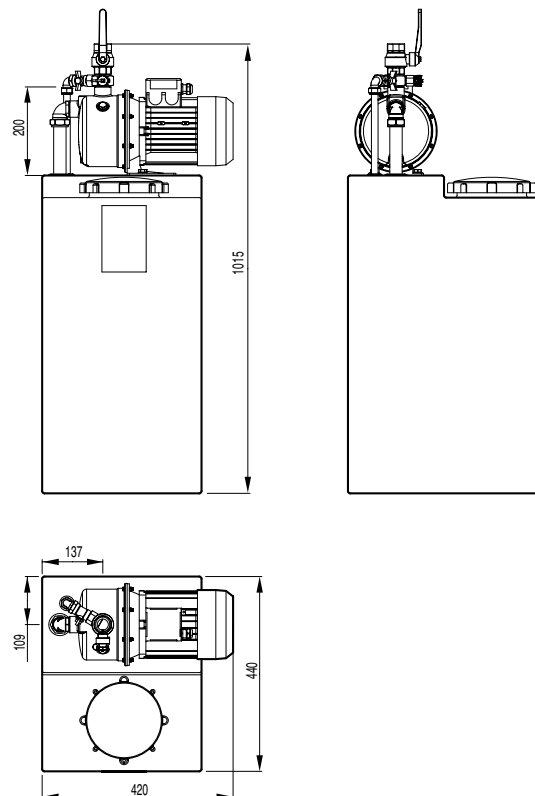
The pump is equipped with a built-in thermal motor protection with automatic reset.

Technical data:

Dimensions (LxWxH): 440 x 420 x 1015 mm
 Pump (standard): Wilo WJ 203 X
 Polypropylene and ethylene glycol mixtures: Max. 45.0%
 Ethanol mixtures: Max. 29.9%
 Electrical connection: Plug
 Shut-off valve: D N25



Dimensions:



Model	Volume, litres	Weight, kg	Article no.
TTM RTB 61-100	100	18	506 393



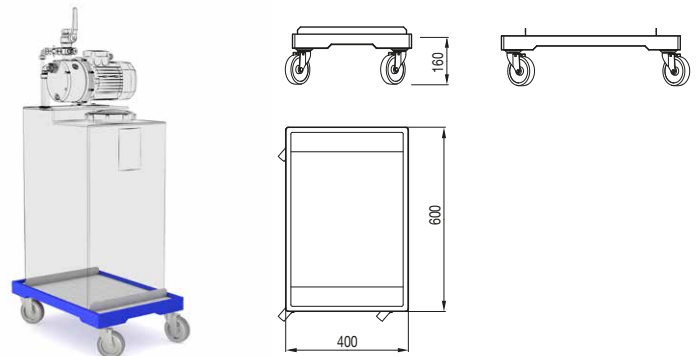
TTM Energiprodukter AB

Slöjdaregatan 1, SE-393 53 Kalmar, Sweden | Tel. +46 480 41 77 40
 info@ttmenergi.se | www.ttmenergi.se

Trolley

TTM RTB Trolley 61-100 makes it easy to move the glycol mixing vessel after filling. The trolley has swivel wheels.

Model	Art.no.
TTM RTB Trolley 61-100	506409

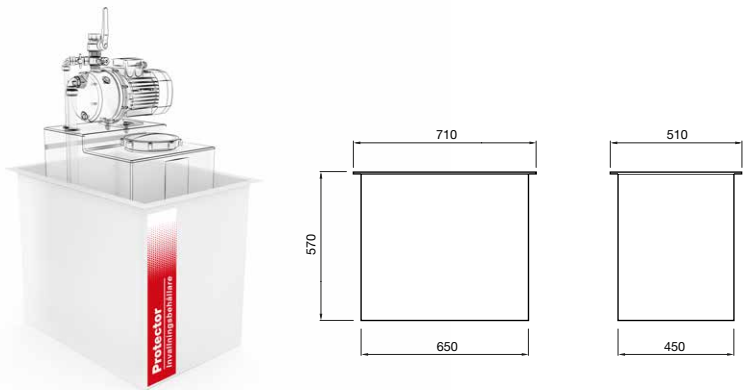


Overfill containment vessel

TTM Protector 61-100 is an environmentally secure overfill containment vessel that provides protection against accidental release during storage and handling of environmentally hazardous chemical mixtures such as glycol.

TTM Protector 61-100 has a volume of 135 litres, which fulfils the majority of regulatory requirements for bunding volume. Art.no.

Model	Art.no.
TTM Protector 61-100	508649



Connection hose

TTM Connection hose is a glycol-resistant connection hose used to connect the glycol mixing vessel with the system during filling. Flexible Hose is a steel braided EDPM hose classified for pressures up to 10 bar.

In dimension 1", TTM RTB Flexible Hose is equipped with brass connections and with DN25 internally threaded travelling nut for connection to the system.

Model	Length	Art.no.
TTM Connection hose DN25	0.8 m	517740
TTM Connection hose DN25	1.5 m	517757

