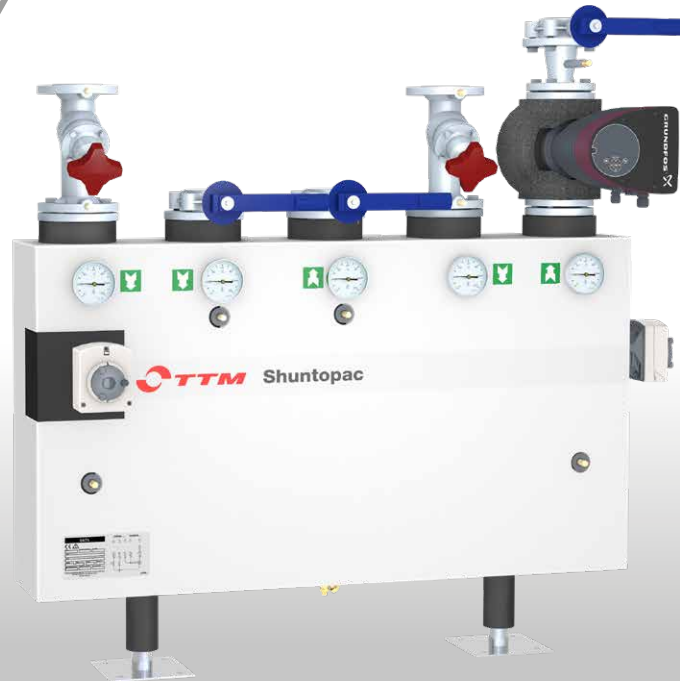


Shuntopac[®]

20-200 FV



Shunt unit for district heating

Shuntopac 20-200 FV is a shunt unit that makes it possible to lower the return temperature of a district heating installation and thus avoid additional costs in the form of flow rate. High cooling effect in an installation increases the efficiency and utilization of the district heating installation.

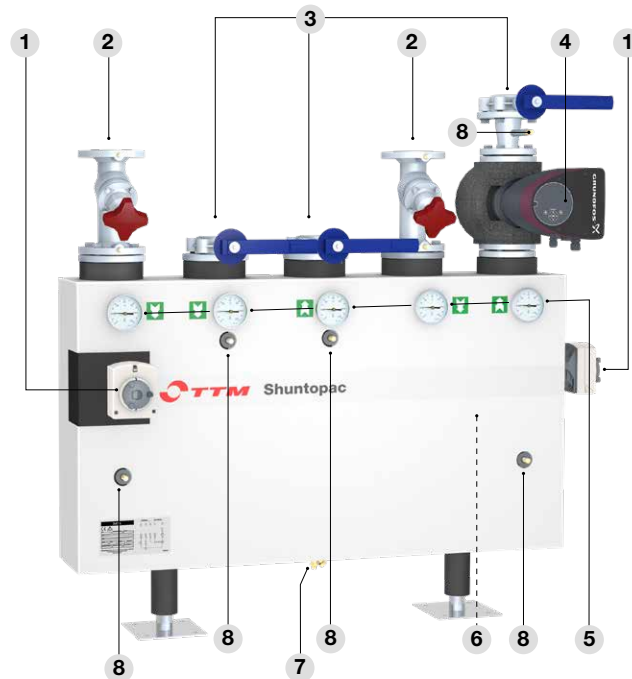
Shuntopac 20-200 FV is available as standard with connection dimensions from DN 20 to DN 200. The shunt unit can be equipped with several components of any make, e.g. pump, valves, piping material etc.

Shuntopac 20-200 FV is supplied with a fire and corrosion resistant Aluzink sheet metal cover. The insulation consists of mineral wool as standard. The shunt unit has a stand with four legs and foot plates for floor set-up and attachment.

The standard pipe package consists of fully welded pressure vessel pipes in accordance with the standard, EN 10216-2:2013. Pipe packages in other materials, e.g. stainless steel, copper or with surface treatment can be supplied on request.

The design of the pipe package, in the specified mounting positions, provides a barrier against unwanted energy transfer due to double circulation.

Shuntopac 20-200 FV has the EC declaration according to the Machinery Directive 2006/42/EC, "Partly completed machinery".



Equipment (standard)

1. Seat valve

2 pcs. seat valves of any make and type. Supplied with or without actuator depending on make, type and requirements.

2. Adjusting valves

2 pcs. of any make, type and dimension. Mounted on the pipe package with coupling or flange connection. IMI/TA STAD/F is supplied as standard. Can also be supplied with dynamic adjustment valves or differential pressure regulator.

3. Shut-off valves

3 pcs. low lead ball valves DN 20-50 with full flow and high stem neck respectively 3 pcs. butterfly valves DN 65-200, dimensioned to act as end valves if the shunt unit is dismantled from the system. Mounted to the pipe package with conical coupling and flange respectively.

4. Pump

Any make and type with "wet" or "dry" motor.

5. Thermometers

5 pcs. bimetallic thermometers graduated every 2° from 0 - +120 °C, mounted in pocket or immersion tube.

6. Non-return valve

1 pc made of brass/cast iron/stainless steel with spring-loaded cone. Service-friendly mounted in a flange connection.

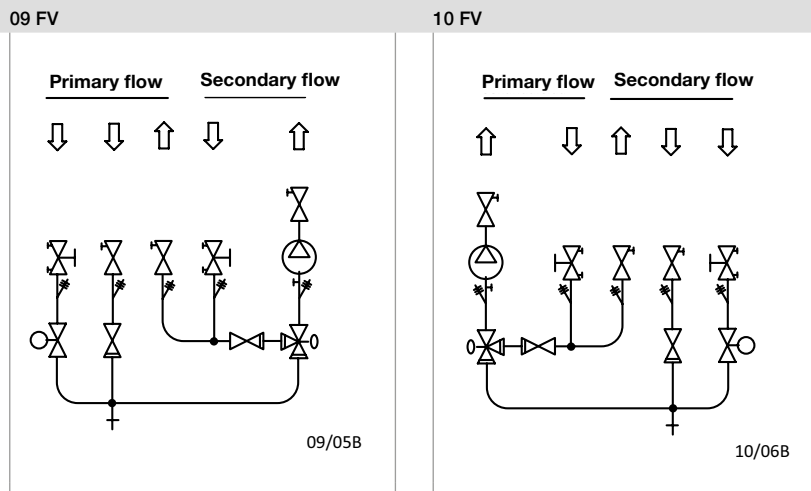
7. Drainage

Version with hose connection R 1/2".

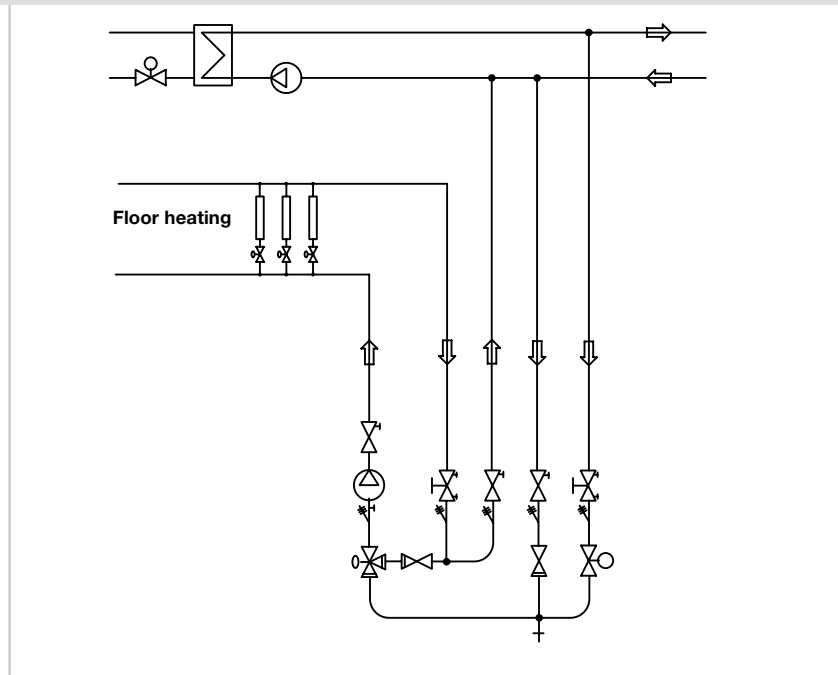
8. Test sockets

Type IMI/TA STAD/F mounted on all connections so that complete flow and differential pressure measurement can be carried out.

Examples of configurations



System solution



Contact TTM for dimensioning and additional connection options