

Shuntopac[®]

ECO



Shunt unit for combined shunt units

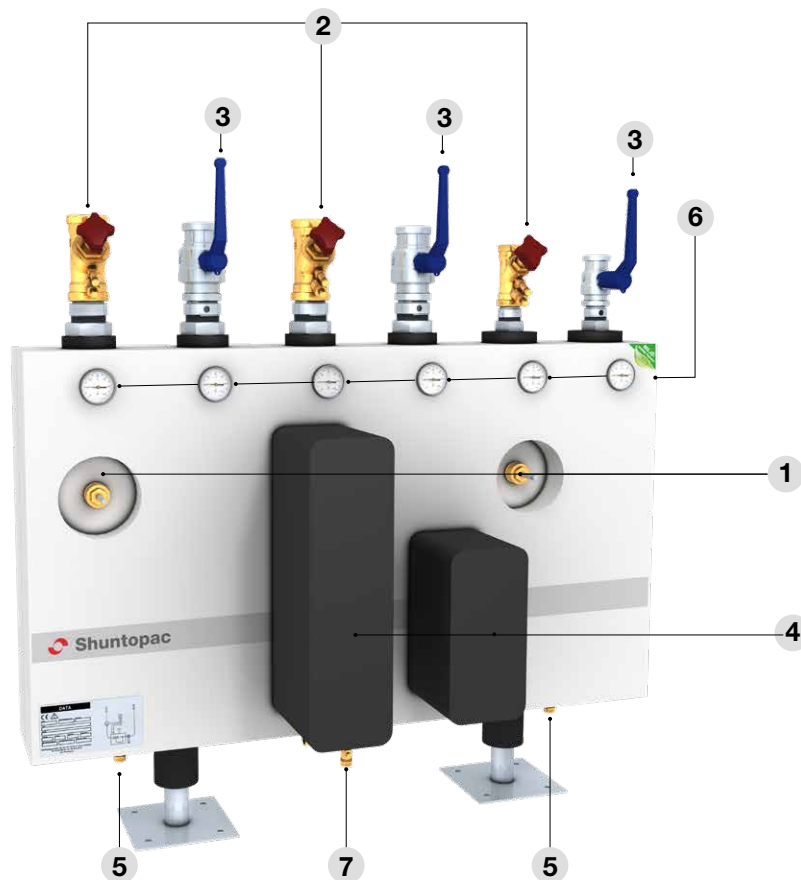
Shuntopac 20-200 ECO is a combined shunt unit for use in heat recovery systems of Fläkt Woods Econet type.

Shuntopac 20-200 ECO is supplied in dimensions DN 20 up to DN 200 with each circuit adapted for the current flow.

Shuntopac 20-200 ECO is supplied with a fire and corrosion-proof housing in aluzinc sheet. Standard insulation is AF/Armaflex AF-4. The shunt unit has a stand with two legs and foot plates for floor set-up and attachment.

The standard version pipe package consists of fully-welded pressure vessel pipe SS-EN 10216-2, rustproofed with grey primer. Pipe packages in other qualities or with another surface treatment can be supplied to order.

The shunt unit is environmentally approved.



Equipment

1. Control valves

2 pcs seat valves in a choice of make and type.

2. Adjustment valves

3 pcs in a choice of make. Make: TA STAD/F supplied as standard. Installed on pipe package with conical coupling or flange.

Can also be supplied with dynamic adjustment valves, flow regulators or differential pressure regulator.

3. Shut-off valves

3 pcs ball valve DN 20-50 with full throughflow and extended stem or 3 pcs butterfly valve DN 65-200. Designed to act as end valves if the shunt unit is removed from the system. Installed on pipe package with conical coupling or flange.

4. Plate heat exchanger

Welded, choice of make and type. Make: Swep supplied as standard. The heat exchanger is positioned on the front of the unit group to facilitate service. Other positioning is available on request, provided the heat exchanger's size and configuration permits it.

5. Drain plug

Design with hose screw connection.

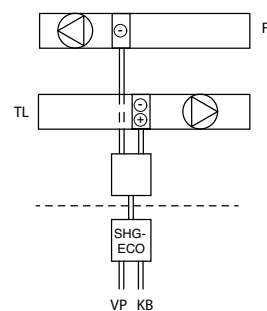
6. Thermometers

6 pcs, graduated -40 – +40 °C.

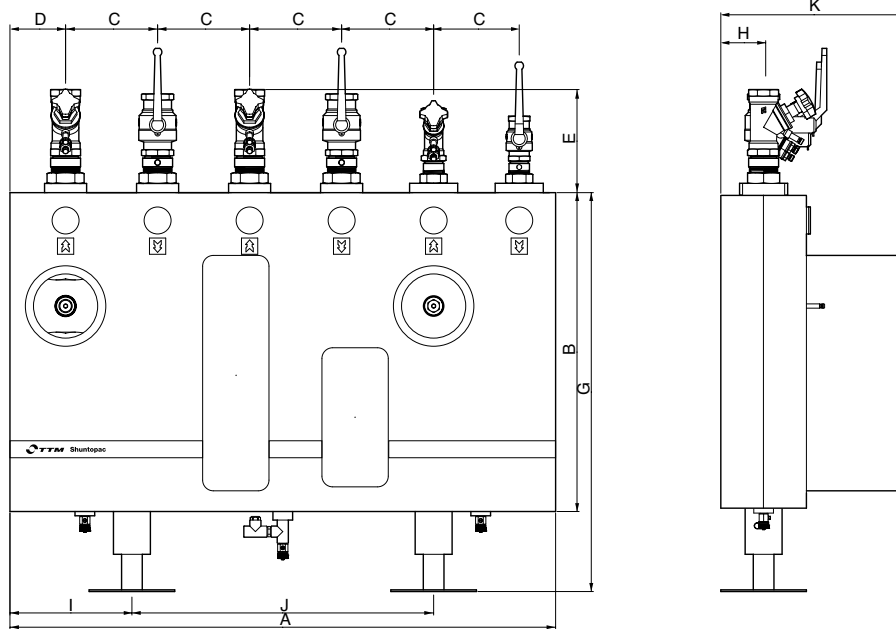
Insulation

AF/Armaflex AF-4.

7. Vacuum and safety valve



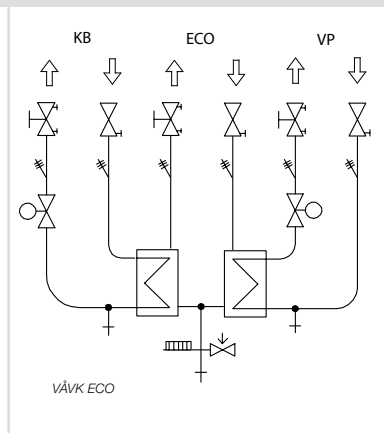
Dimensions



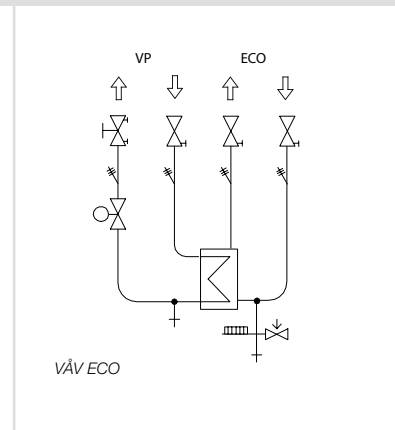
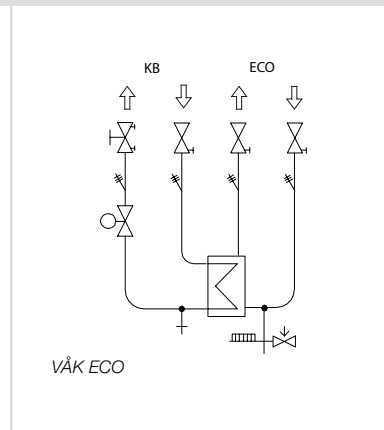
	A	B	C	D	E	F	G	H	I	J	K	Weight
DN	mm	mm	mm	mm	mm	mm	mm	mm	mm	mm	mm	kg
20	1170	745	200	85	Variable	315	930	100	285	600	Variable	90
25	1170	745	200	85	Variable	315	930	100	285	600	Variable	95
32	1170	745	200	85	Variable	315	930	100	285	600	Variable	100
40	1170	745	200	85	Variable	315	930	100	285	600	Variable	110
50	1245	745	215	85	Variable	315	930	100	285	675	Variable	180
65	1760	805	300	130	Variable	295	995	140	285	1190	Variable	260
80	1760	805	300	130	Variable	295	1000	140	285	1190	Variable	340
100	2110	1055	350	180	Variable	395	1240	140	355	1400	Variable	480

Configurations

CC side can be supplied with choice of shunt connection. The heat exchanger is installed on the front of the shunt unit to facilitate service.



Also available as only cooling or heating



Customised design

- Pipe package in choice of material, e.g. stainless steel, copper etc.
- Surface treatment of pipe package and pump with epoxy, hot-dip galvanisation etc.

Contact TTM to discuss your requirements